

# FAKRA Antenna Jack



**KMT02S010A**



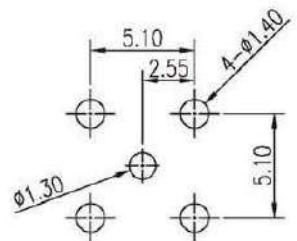
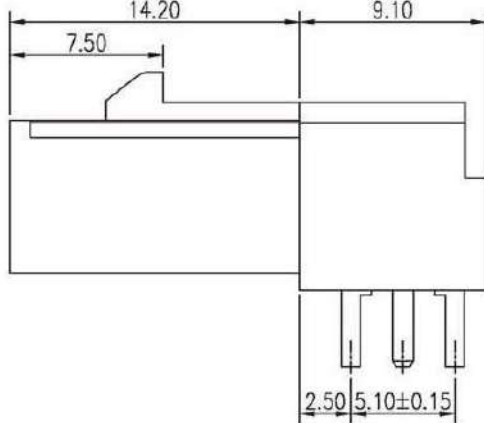
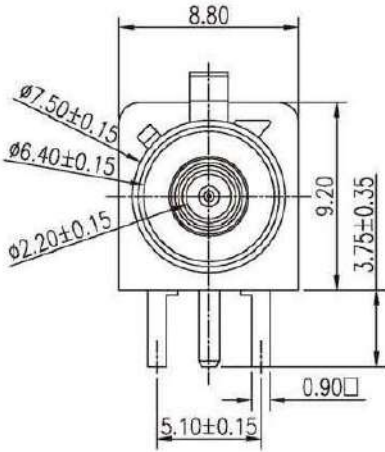
**KMT02S010B**



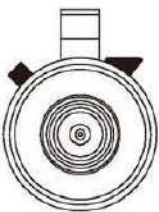
**KMT02S010C**



**KMT02S010E**



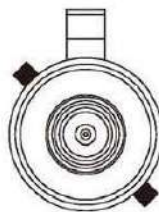
PCB Layout



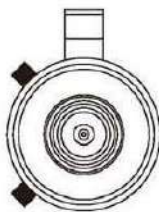
KMT02S010A Black



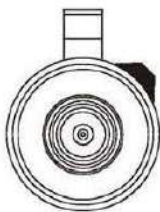
KMT02S010B White



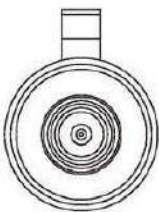
KMT02S010C Blue



KMT02S010D Maroon



KMT02S010E Green



KMT02S010Z Water Blue



**KMT02P011Z**



**KMT02P010B**



**KMT02P020B**



**KMT02S020B**



**KMT02S010D**



**KMT02S011Z**



**KMT03S010Z**



**KMT03S010Z**

# FAKRA Antenna Jack

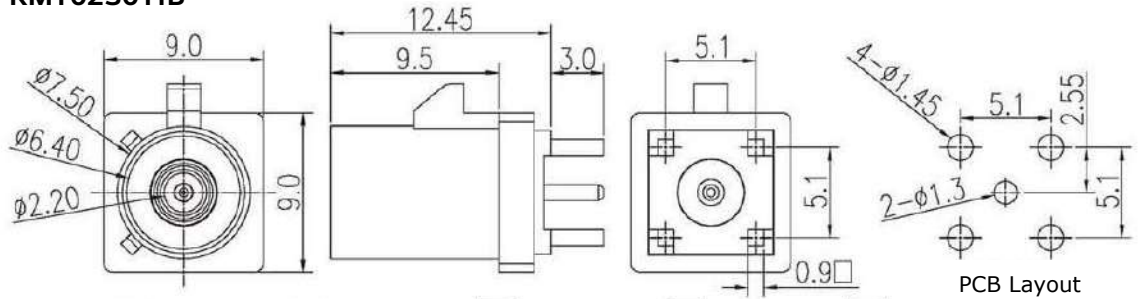


**KMT02S011B**

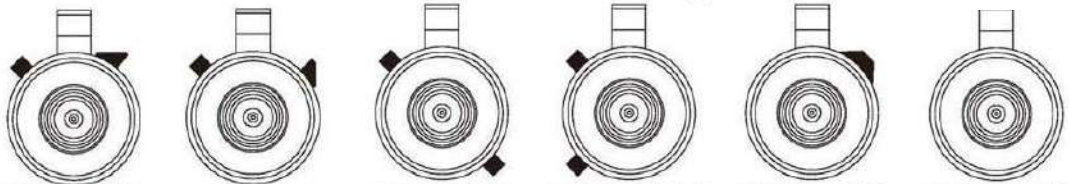
**KMT02S011C**

**KMT02S011D**

**KMT02S011E**



PCB Layout



KMT02S011A Black

KMT02S011B White

KMT02S011C Blue

KMT02S011D Maroon

KMT02S011E Green

KMT02S011Z Water Blue

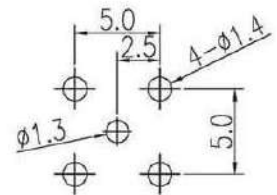
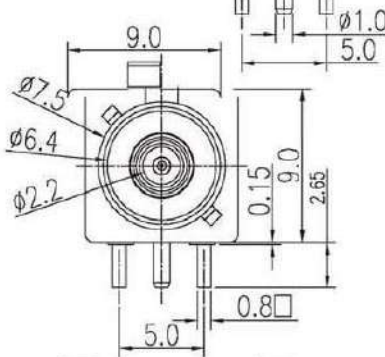
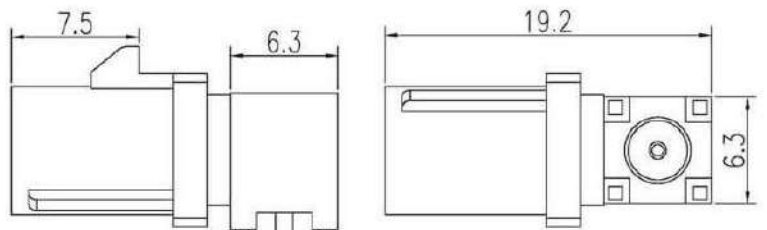
## Horizontal Short Type



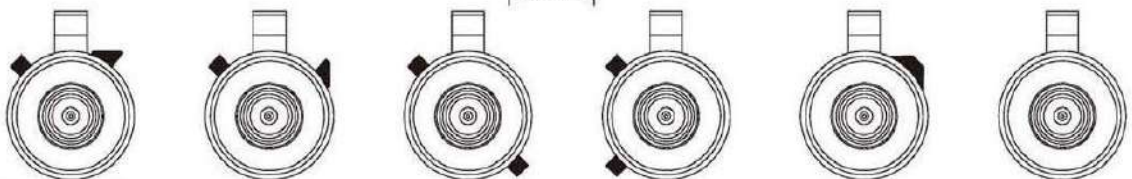
**KMT02S014C**



**KMT02S014D**



PCB Layout



KMT02S014A Black

KMT02S014B White

KMT02S014C Blue

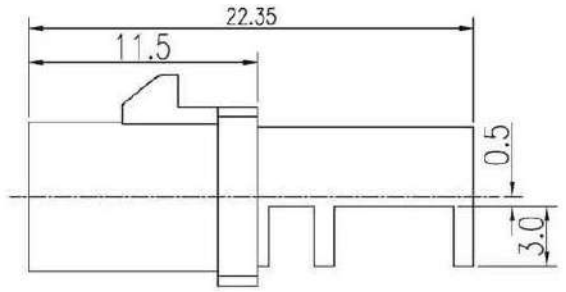
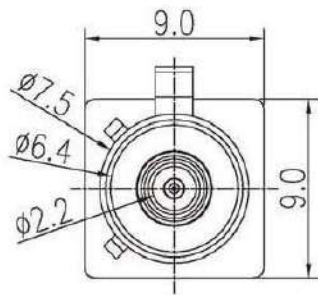
KMT02S014D Maroon

KMT02S014E Green

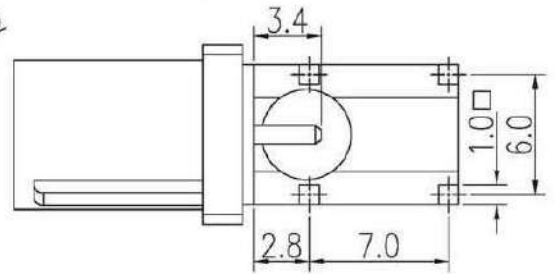
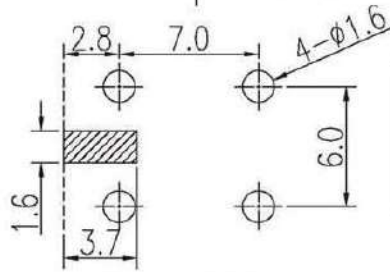
KMT02S014Z Water Blue



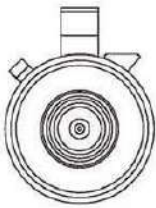
**KMT02S012C**



**KMT02S012D**



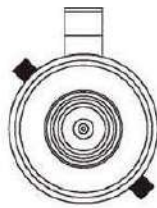
PCB Layout



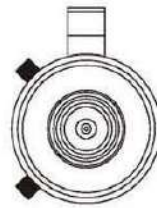
KMT02S012A Black



KMT02S012B White



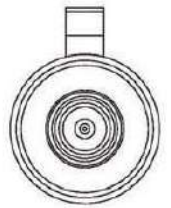
KMT02S012C Blue



KMT02S012D Maroon



KMT02S012E Green

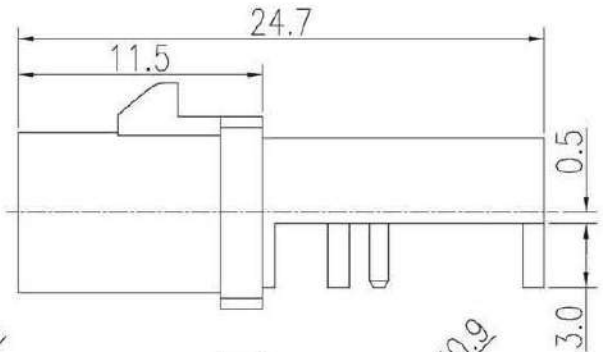
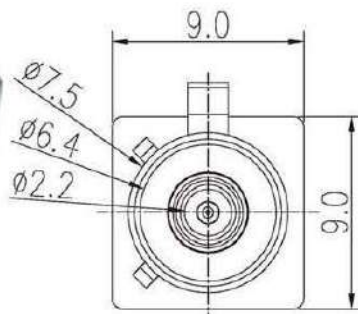


KMT02S012Z Water Blue

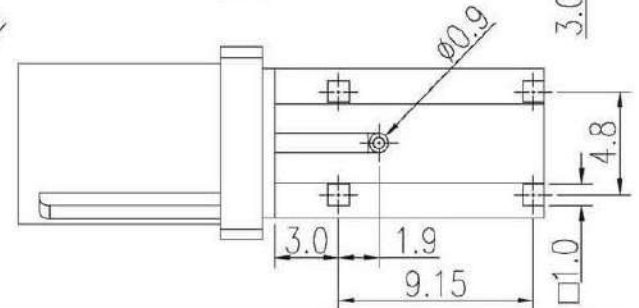
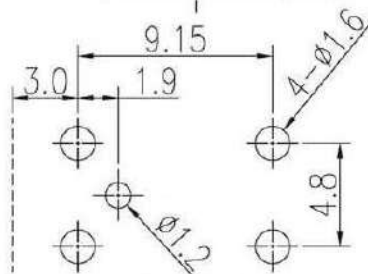
## FAKRA Antenna Jack, DIP, Middle Mount Type



**KMT02S013C**



**KMT02S013D**



PCB Layout